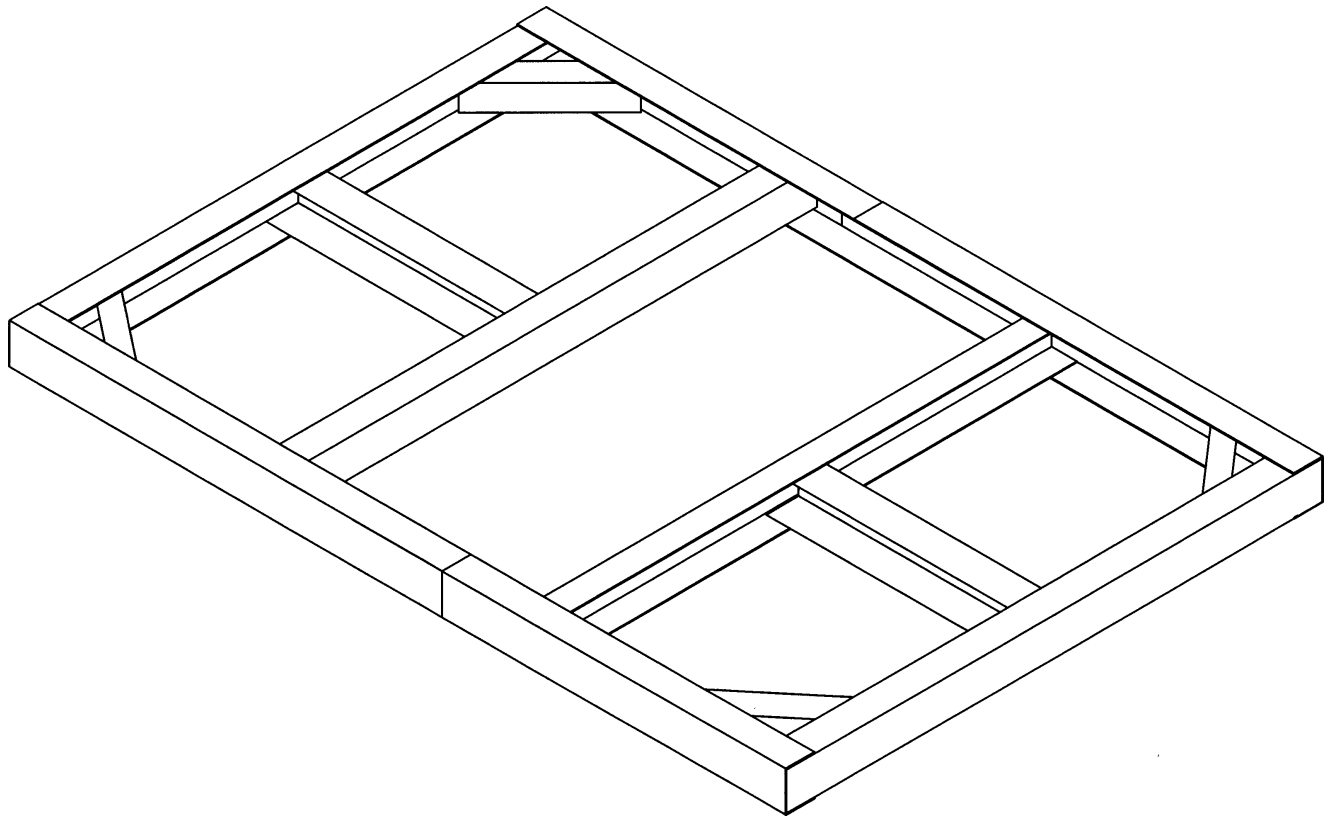


Metal Garden Shed Foundation Kit

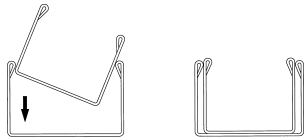
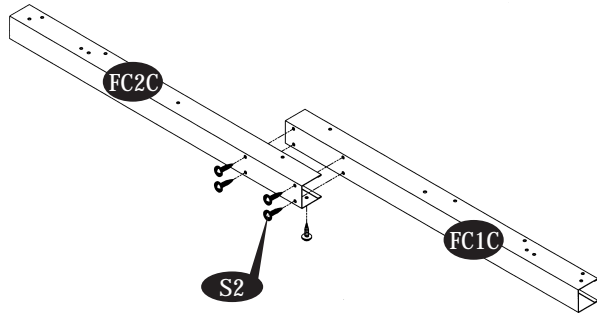
Instructions for Assembly Size 6' x 4'



TOOLS YOU WILL NEED

- Cordless Drill - Philips Head
- Hand Gloves
- Eye Protector

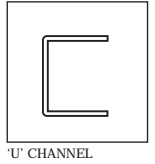
1. Assemble the channel (FC1C) & (FC2C) together using (S2) screws.
 Make 2 sets.



Parts List

Note: Check all parts prior to installation.

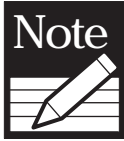
CODE	DESCRIPTION	QTY
FC1C	FOUNDATION 'U' CHANNEL	2
FC2C	FOUNDATION 'U' CHANNEL	2
FC3C	FOUNDATION 'U' CHANNEL	2
FC4C	FOUNDATION 'U' CHANNEL	2
FC7A	FOUNDATION 'U' CHANNEL	2
FCC	FOUNDATION 'U' CHANNEL	4



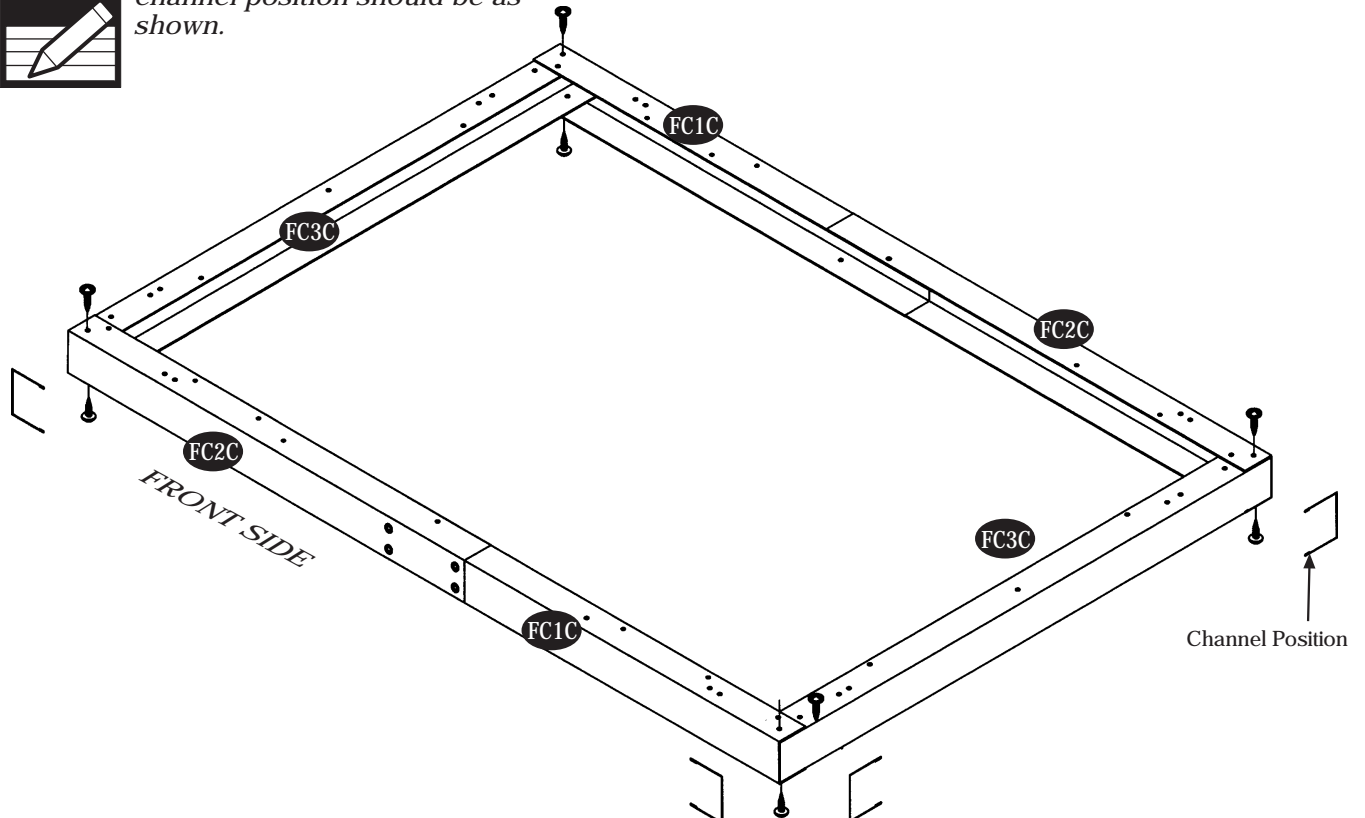
ACCESSORIES

CODE	DESCRIPTION	QTY
S2	DIA. 4.2 x 16mm. (5/32" x 5/8") SHEET METAL SCREW	42

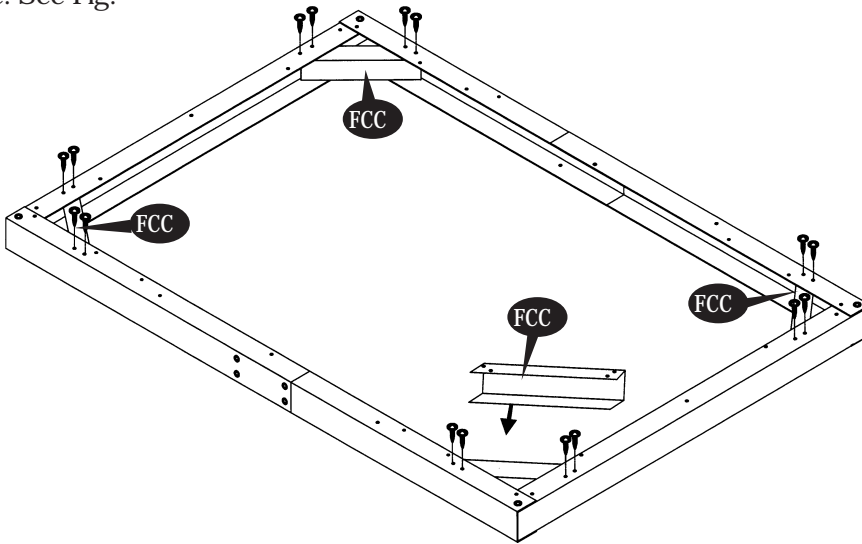
2. Make a frame with the sub assemblies as shown below.



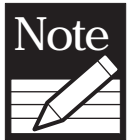
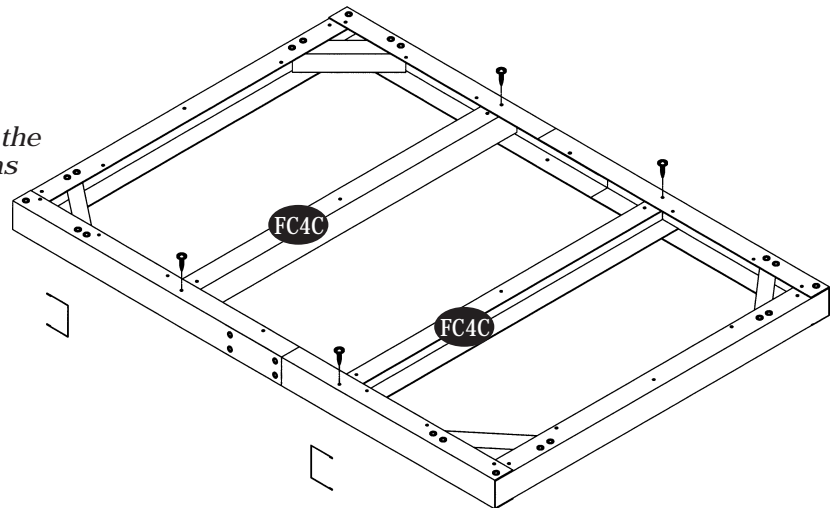
Note Make sure while assembling, the channel position should be as shown.



3. Fix the channel (FCC) to all the four corners to make a perfect frame. See Fig.

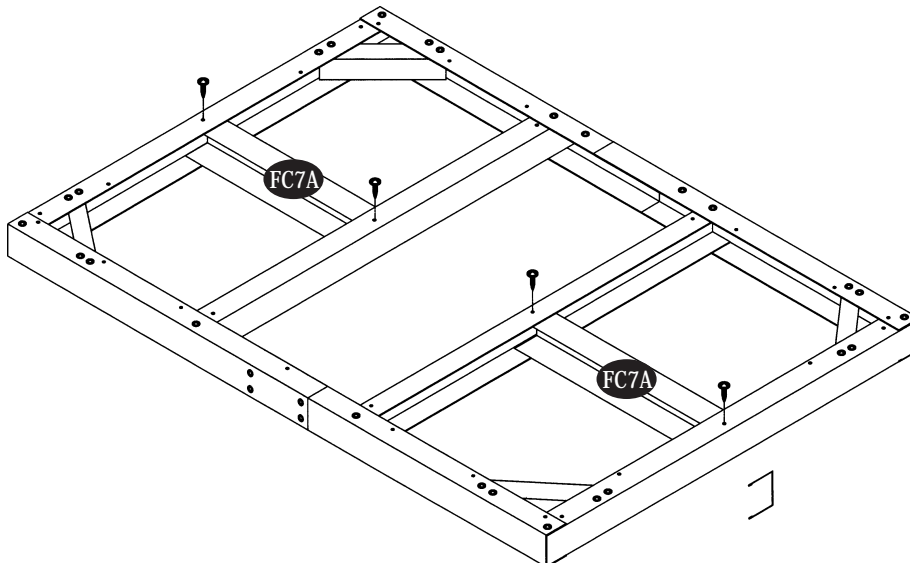


4. Fix the channel (FC4C) into the main frame as shown. See Fig.

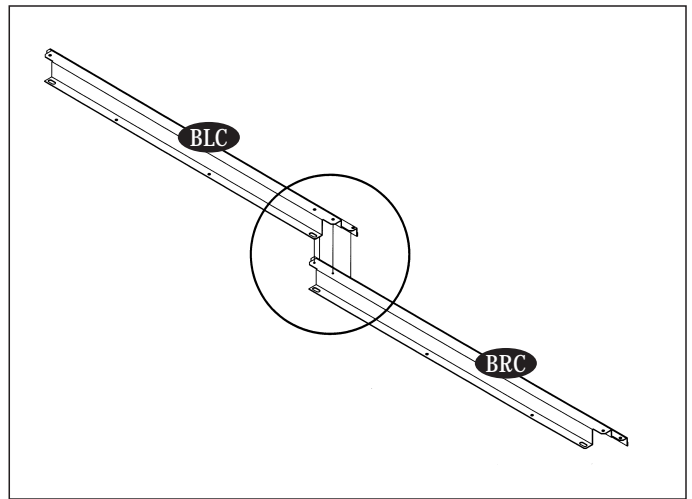
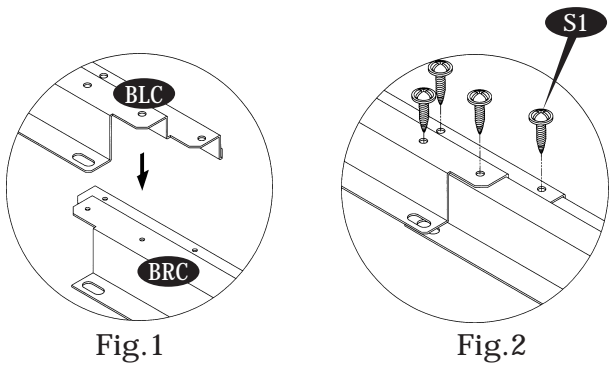


Note Make sure while assembling, the channel position should be as shown.

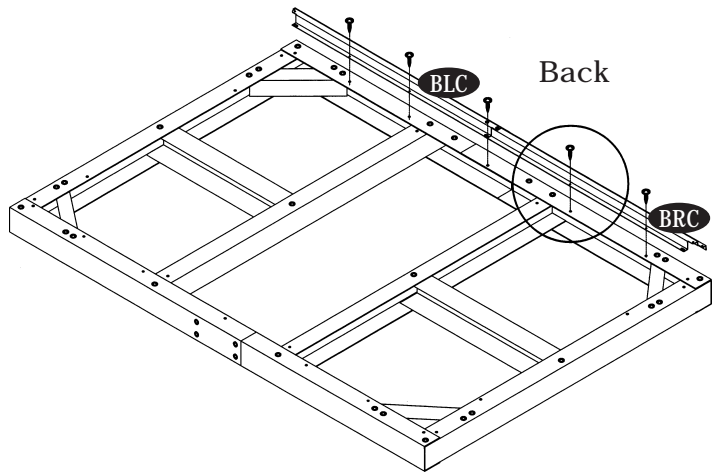
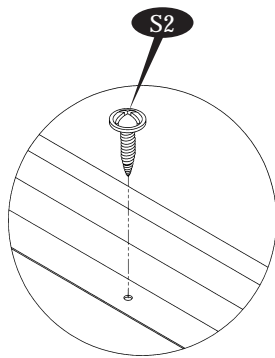
5. Fix the channel (FC7A) into the frame with screws as shown. See Fig.



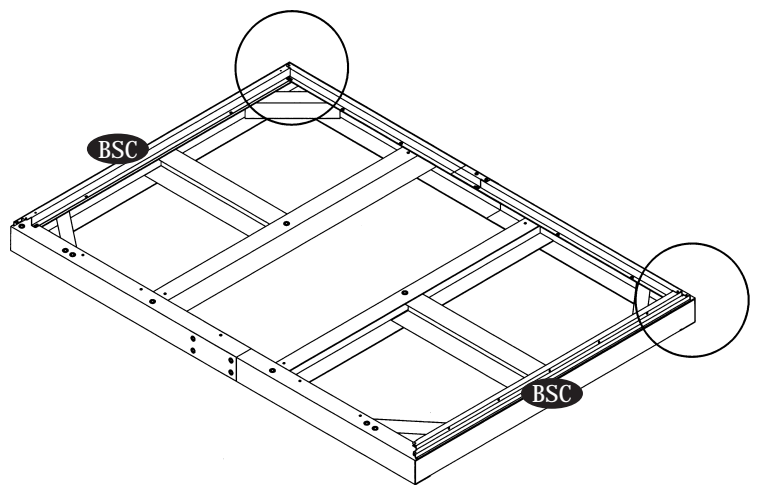
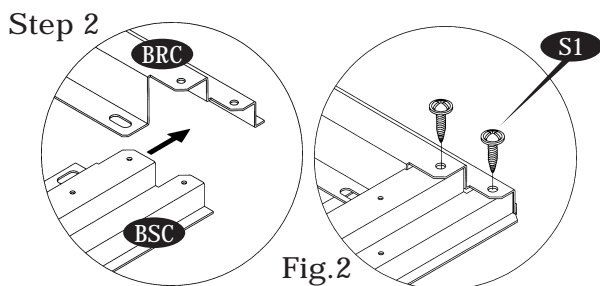
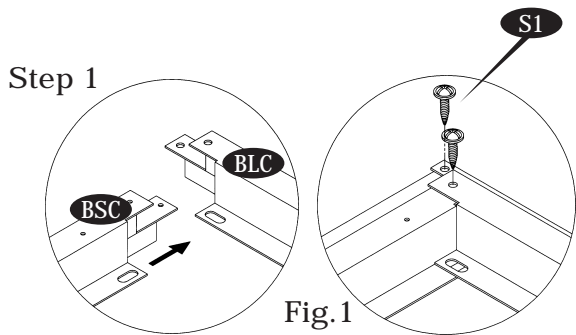
6. Assemble base bar back left (BLC) and base bar back right (BRC) with four (S1) screws.
See fig. 1 & 2.



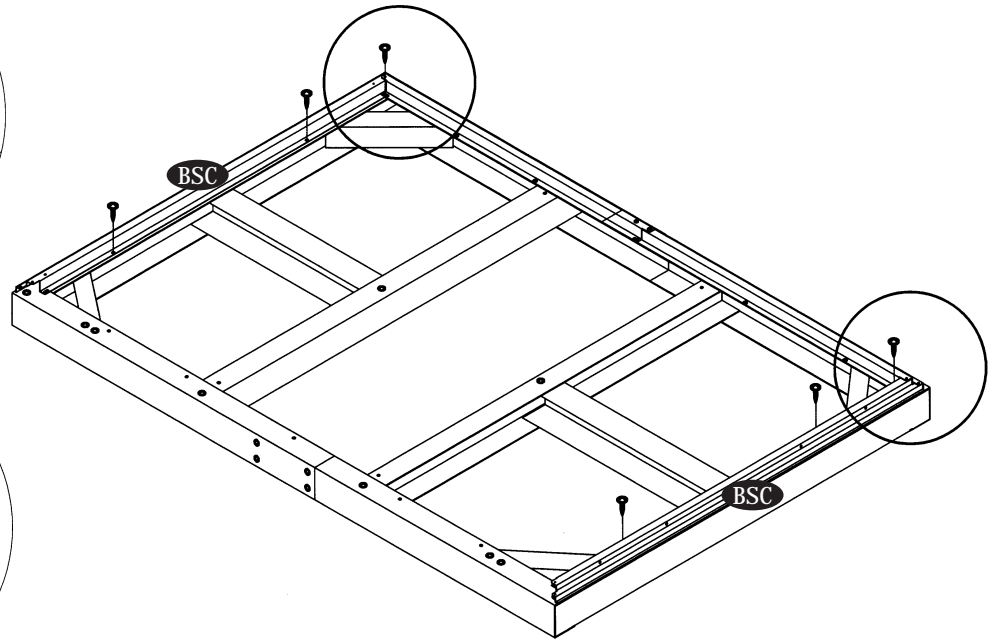
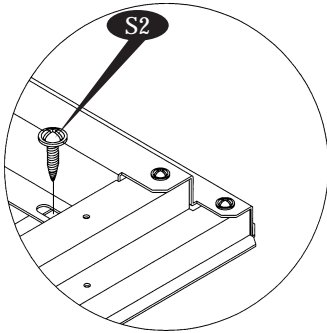
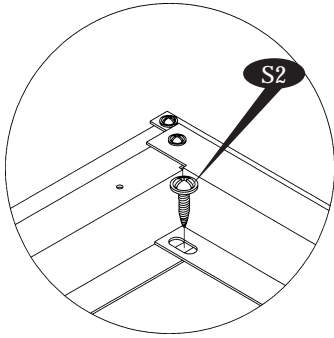
7. Place the base bar assembly on top of the foundation. Use (S2) screws to fix the assembly to foundation.



8. Insert the base bar side (BSC) into (BLC) & (BRC) secure with two (S1) screws on both sides.
See blowup.



9. Line up the holes with foundation and secure with (S2) screws.



10. Place the base bar (BBFC) on top of (BSC) on both sides. Secure with (S1) screw to (BSC) on both corners. See fig. 1 & 2.

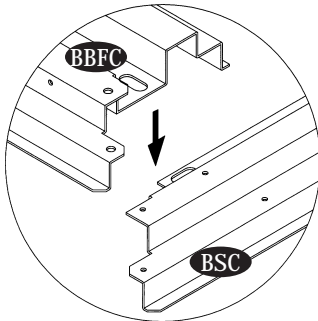


Fig.1

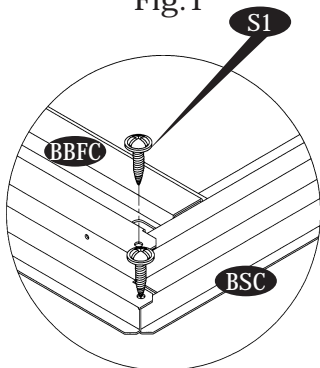
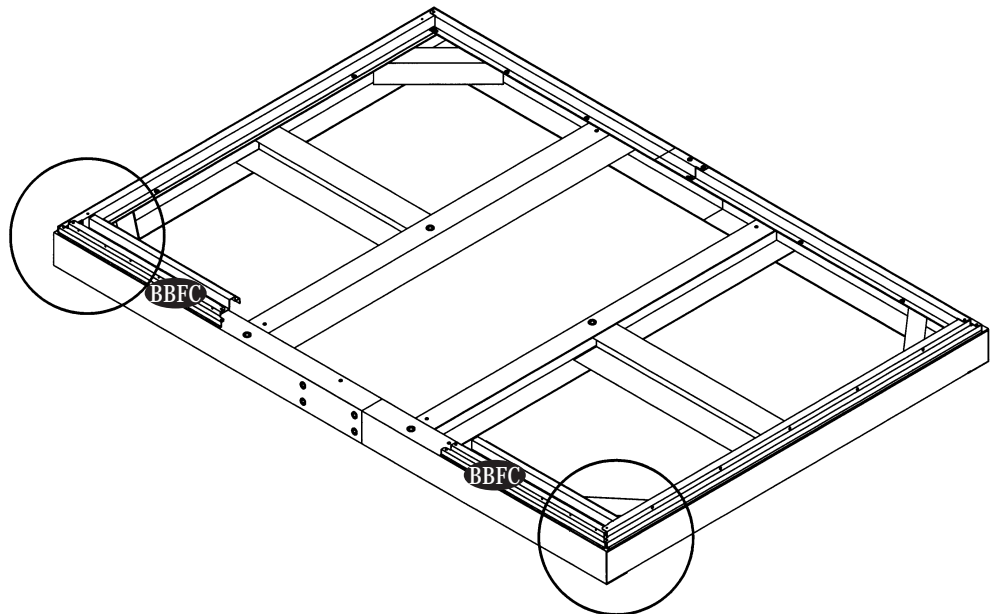
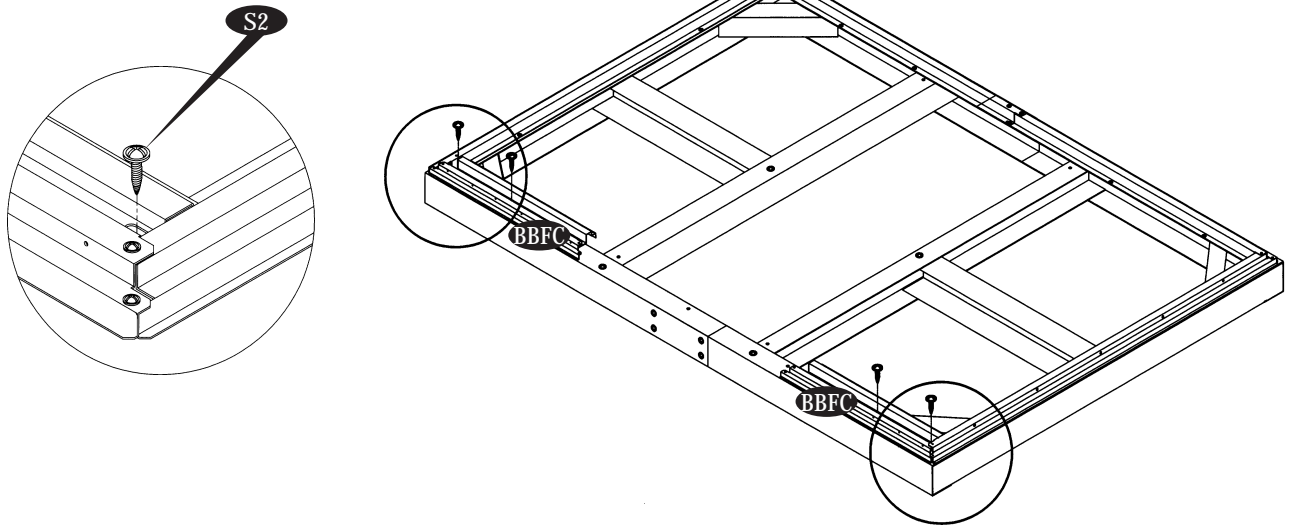


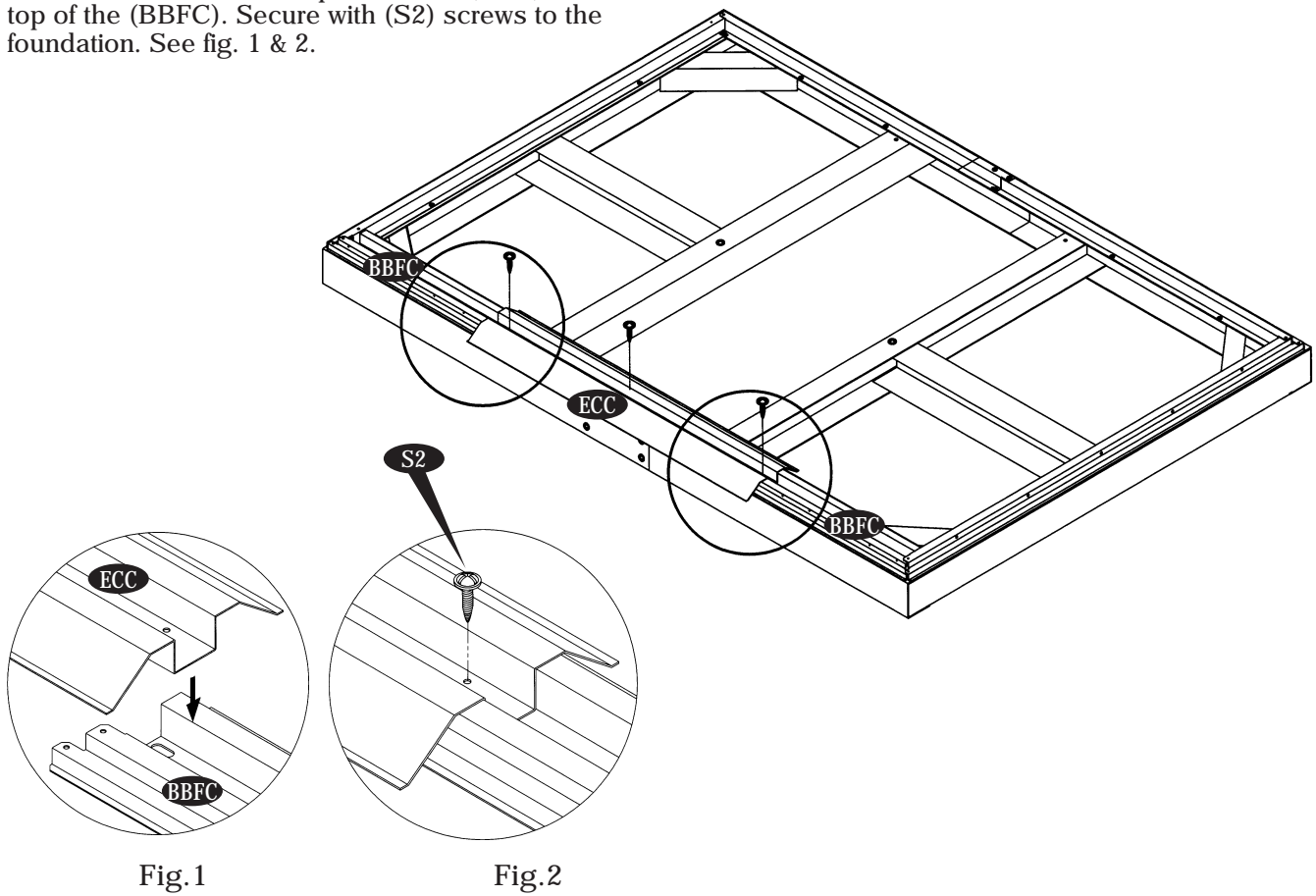
Fig.2



11. Secure the base (BBFC) to the foundation with (S2) screws.



12. Place the entrance taper channel (ECC) on top of the (BBFC). Secure with (S2) screws to the foundation. See fig. 1 & 2.



13a. After completing the assembly of base bar place exterior grade CDX 3/4" (19mm) plywood inside the foundation. See fig.

OR 13b. After completing the assembly of the base bar fill the concrete upto the foundation top surface.

