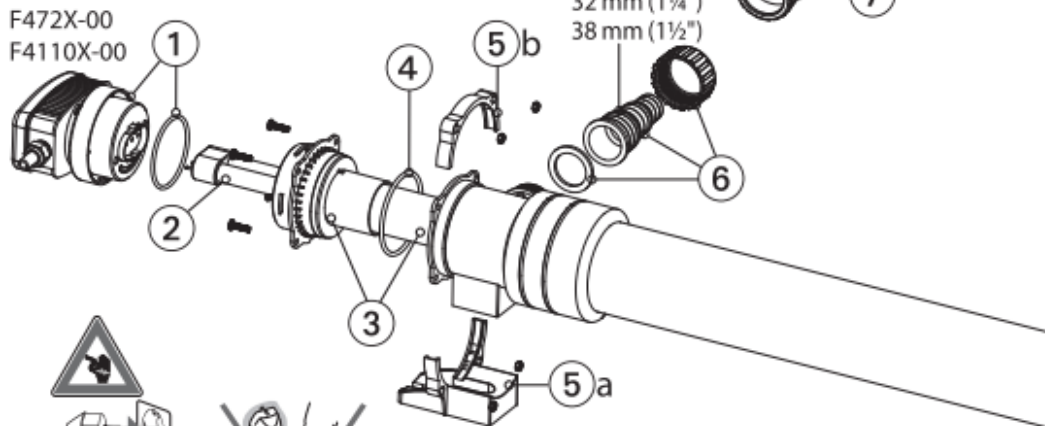
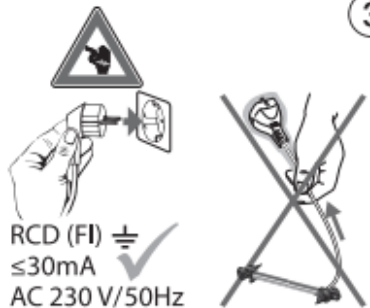


F436X-00  
F455X-00

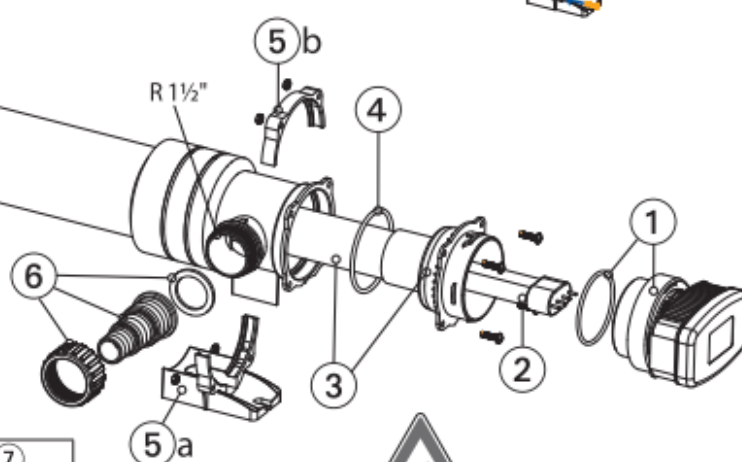
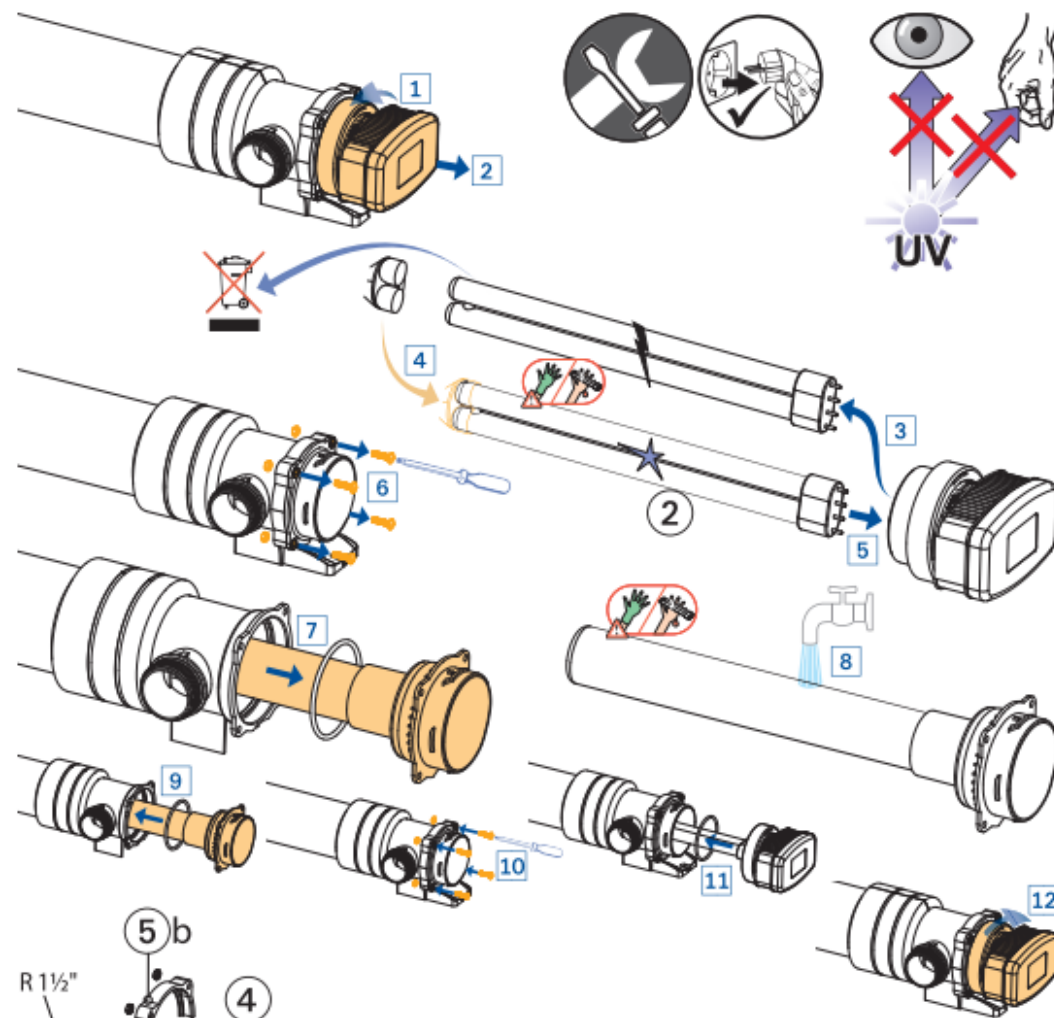
F472X-00  
F4110X-00



25 mm (1")  
32 mm (1 1/4")  
38 mm (1 1/2")



RCD (FI) ≤30mA  
AC 230V/50Hz



F436X-00  
AC 230V/50Hz  
36W · IP 44

F455X-00  
AC 230V/50Hz  
55W · IP 44

F472X-00  
AC 230V/50Hz  
72W · IP 44

F4110X-00  
AC 230V/50Hz  
110W · IP 44

	①	②	③	④	⑤a+b	⑥	⑦
F436X-00	ET15-F436X	ZF436-00	ET15-F436N	ET15-F436V	ET15-F436Y	ET10-F1002	ET10-FPU7D
F455X-00	ET15-F455X	ZF455-00	ET15-F455N	ET15-F436V	ET15-F436Y	ET10-F1002	ET10-FPU7D
F472X-00	ET15-F436X	ZF436-00	ET15-F436N	ET15-F436V	ET15-F436Y	ET10-F1002	-
F4110X-00	ET15-F455X	ZF455-00	ET15-F455N	ET15-F436V	ET15-F436Y	ET10-F1002	-



5 m